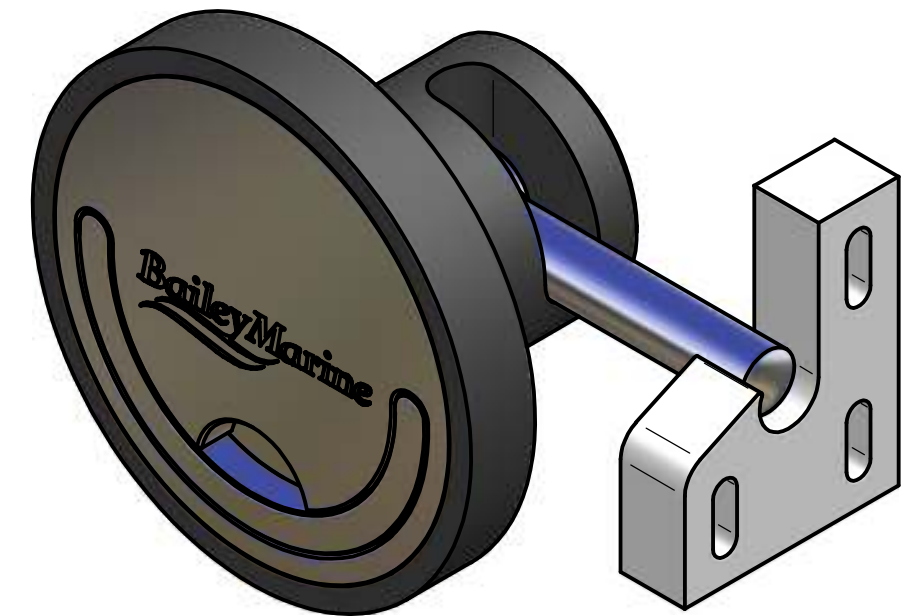
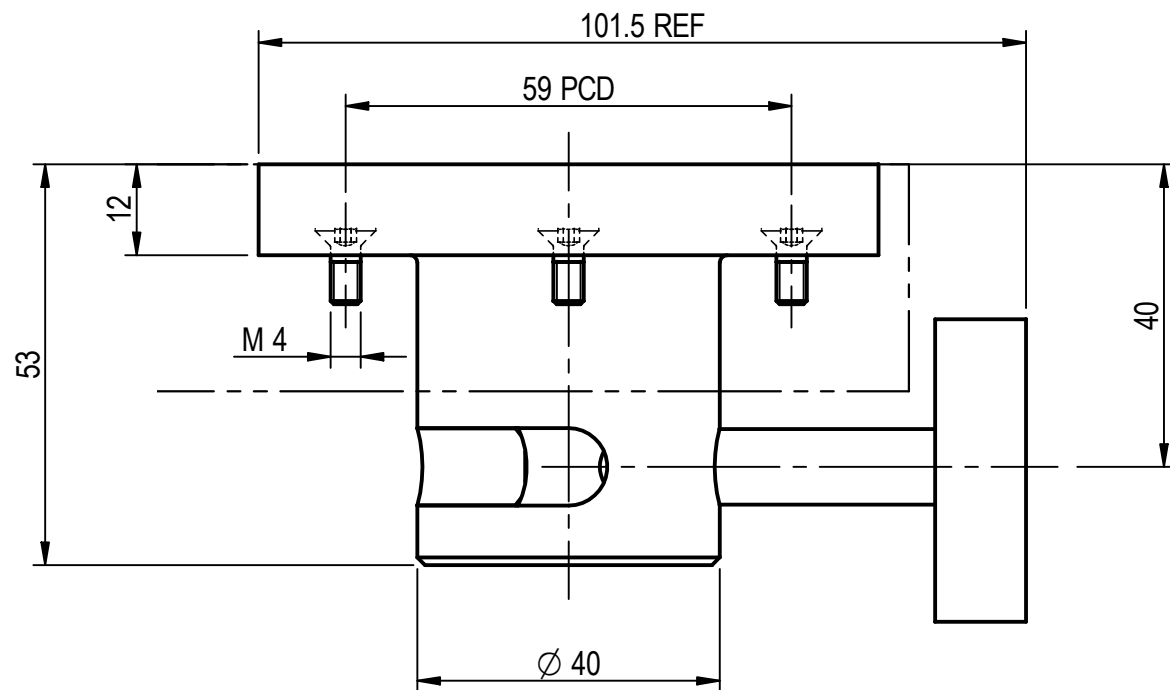
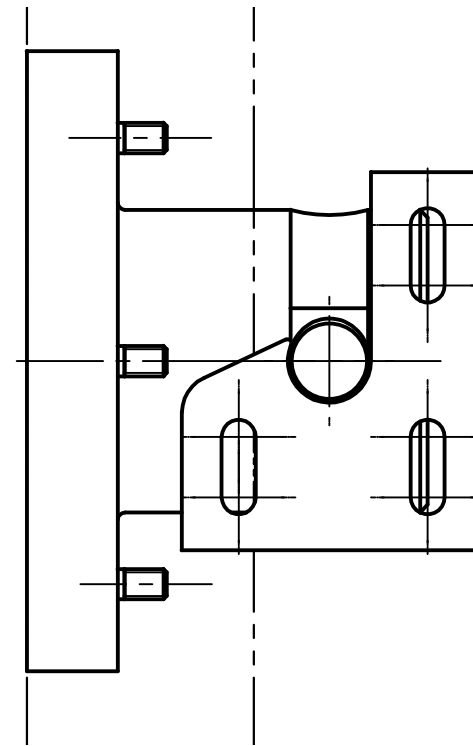
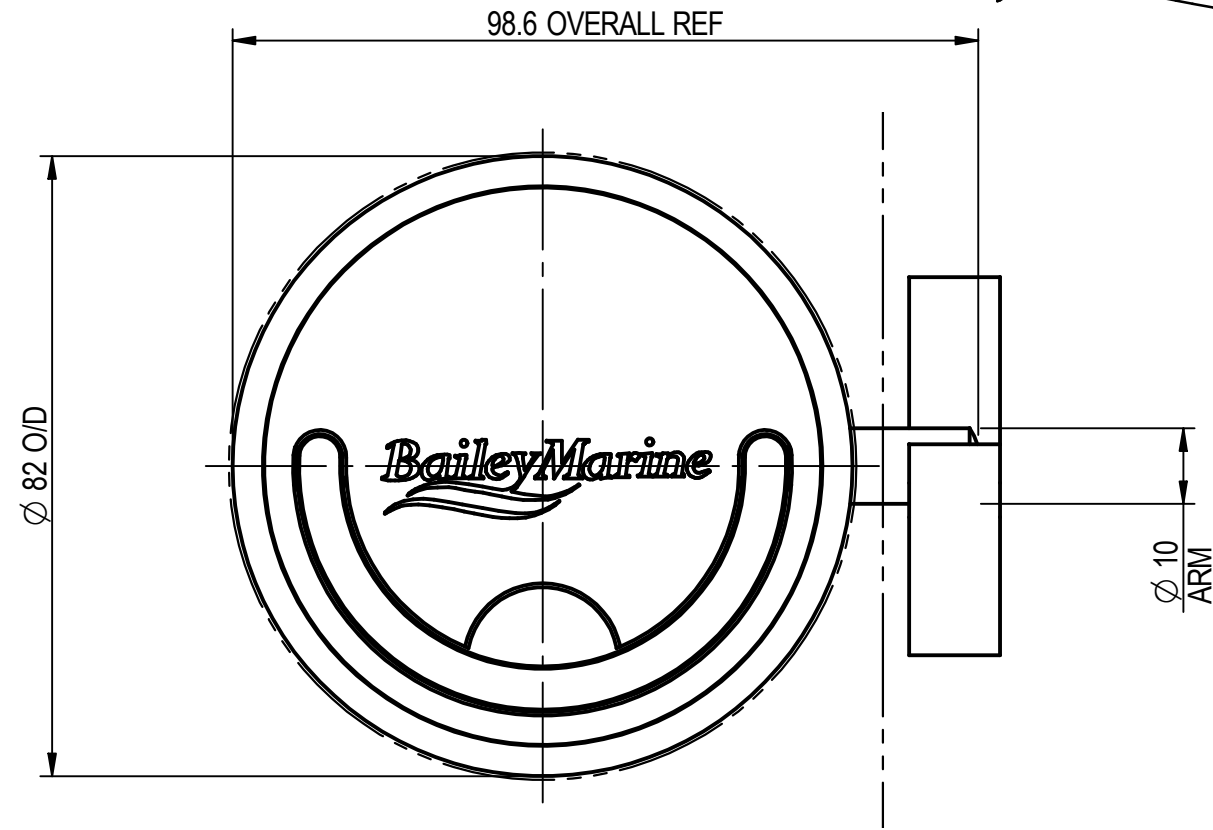


DO NOT SCALE

THIRD ANGLE PROJECTION

*BaileyMarine*

TOLERANCES ± 0.1 EXCEPT AS SHOWN



**ISOMETRIC VIEW**  
UNIT WEIGHT - 0.5 KG

DESIGNED BY J. E. BAILEY

**SLAM LATCH ASSEMBLY**

THIS DRAWING IS CONFIDENTIAL AND IS THE PROPERTY OF BAILEY MARINE AND MUST NOT BE REPRODUCED EITHER WHOLLY OR PARTLY. ALL RIGHTS IN RESPECT OF PATENTS, DESIGN AND COPYRIGHTS ARE RESERVED.

Copyright (c) 2005 Bailey Marine

No.	DESCRIPTION	CHK'D	APP'D	DATE
01	59 PCD WAS 54	TCL	JB	06.10
REVISIONS				

DRAWN	TRACED	CHECKED	APPROVED	DATE	SCALE
TCL	-	TCL	JB	* 06.10	1:1
DRAWING No.		* BMSL100			